



GEORGIA HIGH SCHOOL ASSOCIATION

State Tennis Tournament

Clayton County International Park Tennis Center

Saturday, May 9, 2015



ATTENTION: Tennis Coaches Advancing to State Finals

Congratulations for advancing to the tennis state Finals! Please read all the information below:

REPORT TIMES: Girls and Boys teams in Class A (public and private) must check in and be ready to play **NO LATER** than 8:45 a.m. Class AA and AAA Girls and Boys must report by 10:15 a.m., and AAAA and AAAAA Girls and Boys by 11:45 a.m. Class AAAAAA Girls and Boys are to report by 1:00 p.m. Report times are **NOT** necessarily match times! There is continuous play and your match will be put on **as soon after your report time as courts become available**.

COURT ASSIGNMENT: Courts will be assigned in sets of four (4). Per GHSA rules, the order of play shall be No. 1 singles, No. 1 doubles, No. 2 singles and No. 2 doubles. The No. 3 singles match will go on the first court that becomes available. Matches are numbered and will be put on in order, starting with Class A at 8:45 a.m. Once a team has won three (3) points in a match, that match will be declared over and any remaining matches **must be pulled**.

WARMUP: Once your teams has been assigned a set of courts, you should pair off your players with their respective opponents, put them on the courts they will play on and the players then have **10 MINUTES** to warm up with their opponents. Play should then begin **promptly!**

COACHING: Coaching is allowed with the following restrictions: a coach may talk to a player as they change ends of the court after a game, but the players must stay on the court. **Coaching must not hold up play or delay the match in any way.** Under **NO** circumstances may coaching be given by any person not employed by the school as a tennis coach. Violations of this rule will be penalized under the USTA Point Penalty System.

POINT PENALTY SYSTEM: GHSA team matches are played using the USTA Point Penalty System, which consists of the following: **First Offense - Loss of Point; Second Offense - Loss of Game; Third Offense - Default.** This includes USTA penalty for lateness to a match – **so report on time!** Also be aware that, under USTA rules, a single flagrant unsportsmanlike act may be penalized by defaulting the player immediately!

ROVING UMPIRES: In keeping with USTA regulations, we will utilize Roving Umpires, whose authority includes, but is not limited to, overruling line calls and calling foot faults when in direct observation of the court, resolving scoring disputes, controlling spectators and enforcing warm-up time.

RAIN OUTS: We will attempt to play as many matches as possible even if we face bad weather. Any matches rained out will revert to the **highest-seeded team's home courts on Monday or Tuesday.**

DIRECTIONS: Full directions to the Clayton County International Park Tennis Center may be found on the center web site <http://claytonparks.com/international-park-the-beach/tennis-center.aspx> or you may contact the center at 678-479-5016. Parking is somewhat limited so please do **NOT** bring full-sized school buses if it can be avoided. Food will be available for purchase on the grounds.

Thank you for your cooperation and good luck!

GEORGIA HIGH SCHOOL ASSOCIATION

2015
State Tennis
Championships



All Classes
Boys and Girls

Saturday, May 9, 2015

Clayton County International Park Tennis Center



GEORGIA HIGH SCHOOL ASSOCIATION

State Tennis Tournament

Clayton County International Park Tennis Center

Saturday, May 9, 2015



Class A (public) - **Girls**

(1-1) Baconton

Match #1

Courts: 5, 6, 7, 8

STATE CHAMPION

(2-1) Irwin County

Class A (public) - **Boys**

(1-4) Taylor County

Match #2

Courts: 1, 2, 3, 4

STATE CHAMPION

(3-1) Drew Charter

Class A (private) - **Girls**

(1-1) Brookstone

Match #3

Courts: 13, 14, 15, 16

STATE CHAMPION

(2-1) Athens Academy

Class A (private) - **Boys**

(1-1) Stratford Academy

Match #4

Courts: 9, 10, 11, 12

STATE CHAMPION

(1-2) Brookstone

Class AA - **Girls**

(6-2) Lovett

Match #5

Courts: _____

STATE CHAMPION

(6-1) Wesleyan

Class AA - **Boys**

(6-3) GACS

Match #6

Courts: _____

STATE CHAMPION

(6-1) Pace Academy

Class AAA - **Girls**

(4-1) Blessed Trinity

Match #7

Courts: _____

STATE CHAMPION

(4-2) Westminster

Class AAA - **Boys**

(4-1) Westminster

Match #8

Courts: _____

STATE CHAMPION

(6-1) Calhoun



GEORGIA HIGH SCHOOL ASSOCIATION
State Tennis Tournament
 Clayton County International Park Tennis Center
 Saturday, May 9, 2015



Class AAAA - Girls

Class AAAA - Boys

(8-1) Buford

Match #9

Courts: _____ STATE CHAMPION

(5-1) Woodward

(6-2) St. Pius

Match #10

Courts: _____ STATE CHAMPION

(6-1) Marist

Class AAAAA - Girls

Class AAAAA - Boys

(7-1) Cambridge

Match #11

Courts: _____ STATE CHAMPION

(4-2) Starr's Mill

(4-1) Starr's Mill

Match #12

Courts: _____ STATE CHAMPION

(2-1) Lakeside-Evans

Class AAAAAA - Girls

Class AAAAAA - Boys

(4-1) Kennesaw Mtn.

Match #13

Courts: _____ STATE CHAMPION

(5-1) Walton

(6-3) Northview

Match #14

Courts: _____ STATE CHAMPION

(5-1) Walton



GEORGIA HIGH SCHOOL ASSOCIATION

State Tennis Finals - May 9, 2015



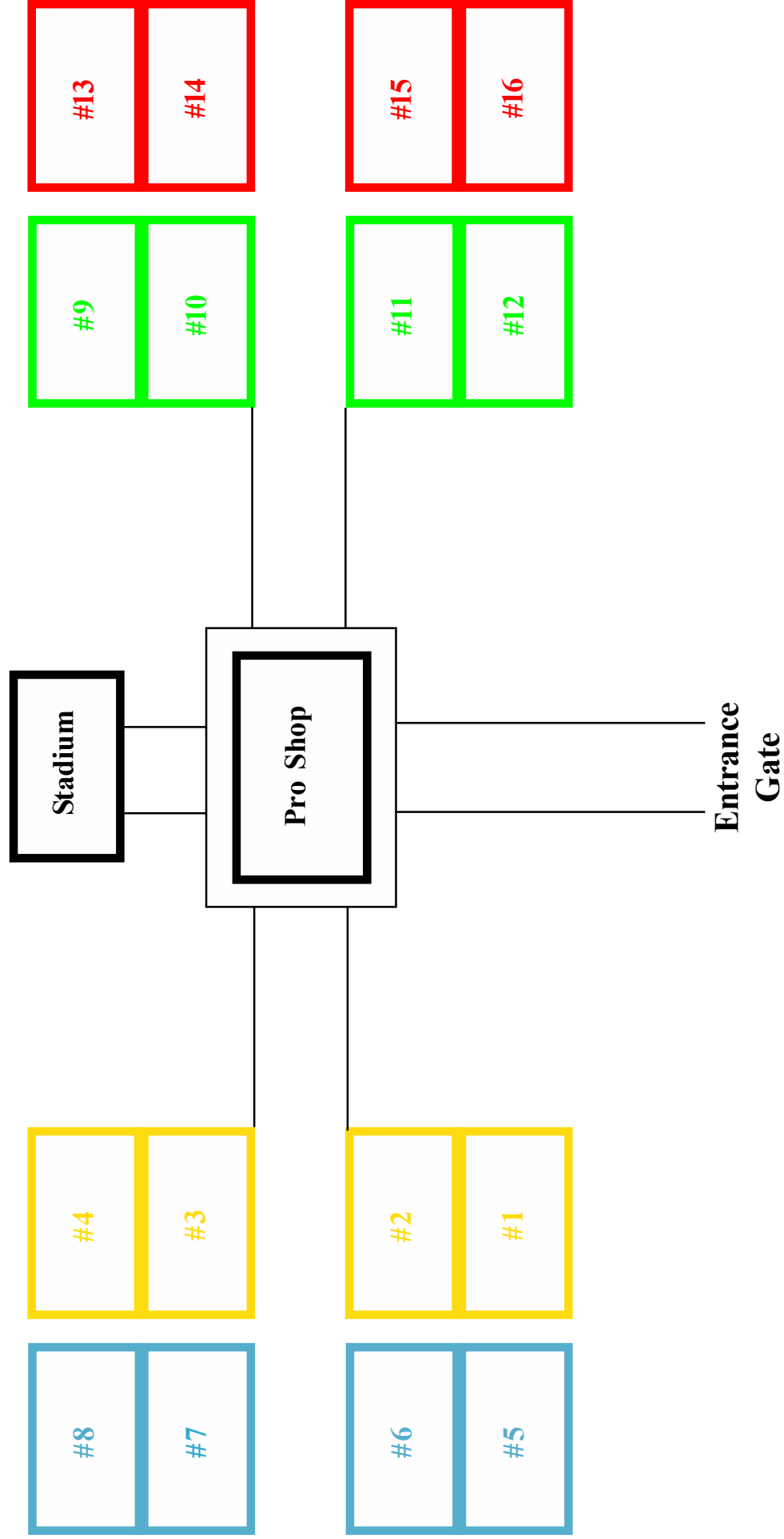
Clayton County Tennis Center -- Diagram of Courts

Gold Court Set: 1 - 4

BLUE Court Set: 5 - 8

GREEN Court Set: 9 - 12

RED Court Set: 13 - 16





new balance HIGH SCHOOL TENNIS championship

presented by the USTA



HARVARD UNIVERSITY • BOSTON, MASSACHUSETTS
JULY 19 –23, 2015

nbtennischampionship.com

